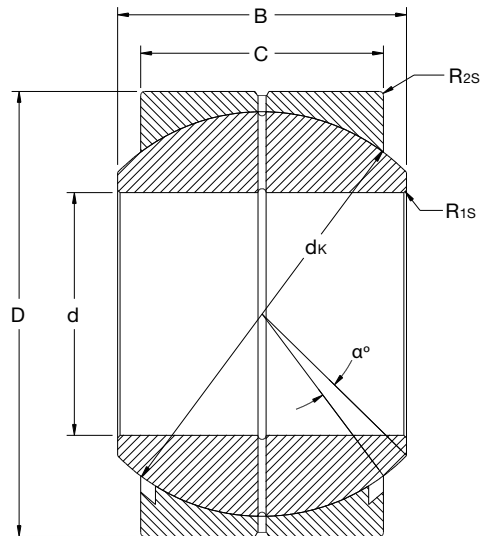


GEZ...ES SERIES



Part Number	Sealed Part Number	d	D	B	C	dk	R1s	R2s	α	Dyn	Static	Weight
							min	min				
		inches	inches	inches	inches	mm	mm	mm	mm	lbs.	lbs.	lbs.
GEZ 008 ES		1/2	0.8750	0.4370	0.3750	18.0	0.3	0.6	6	2,922	9,216	0.022
GEZ 010 ES		5/8	1.0625	0.5470	0.4690	22.0	0.3	0.6	6	4,945	14,612	0.036
GEZ 012 ES		3/4	1.2500	0.6560	0.5620	27.5	0.3	0.6	6	6,968	21,356	0.053
GEZ 014 ES		7/8	1.4375	0.7650	0.6560	32.0	0.3	0.6	6	9,441	28,549	0.085
GEZ 100 ES	GEZ 100 ES 2RS	1	1.6250	0.8750	0.7500	36.5	0.3	0.6	6	12,588	37,316	0.121
GEZ 104 ES	GEZ 104 ES 2RS	1 1/4	2.0000	1.0930	0.9370	45.5	0.6	0.6	6	19,332	58,448	0.232
GEZ 106 ES	GEZ 106 ES 2RS	1 3/8	2.1875	1.1870	1.0310	49.0	0.6	1.0	6	22,929	69,688	0.351
GEZ 108 ES	GEZ 108 ES 2RS	1 1/2	2.4375	1.3120	1.1250	54.7	0.6	1.0	6	28,100	84,300	0.422
GEZ 112 ES	GEZ 112 ES 2RS	1 3/4	2.8125	1.5310	1.3120	63.9	0.6	1.0	6	38,216	114,648	0.641
GEZ 200 ES	GEZ 200 ES 2RS	2	3.1875	1.7500	1.5000	73.0	0.6	1.0	6	50,355	150,616	0.932
GEZ 204 ES	GEZ 204 ES 2RS	2 1/4	3.5625	1.9690	1.6870	82.0	0.6	1.0	6	62,944	191,080	1.330
GEZ 208 ES	GEZ 208 ES 2RS	2 1/2	3.9375	2.1870	1.8778	92.0	0.6	1.0	6	79,804	238,288	1.850
GEZ 212 ES	GEZ 212 ES 2RS	2 3/4	4.3750	2.4060	2.0620	100.0	1.0	1.0	6	93,292	281,000	2.420
GEZ 300 ES	GEZ 300 ES 2RS	3	4.7500	2.6250	2.2500	109.5	1.0	1.0	6	112,400	337,200	3.100
GEZ 304 ES	GEZ 304 ES 2RS	3 1/4	5.1250	2.8440	2.4370	119.0	1.0	1.0	6	131,508	395,648	3.820
GEZ 308 ES	GEZ 308 ES 2RS	3 1/2	5.5000	3.0620	2.6250	128.0	1.0	1.0	6	152,864	458,592	4.790
GEZ 312 ES	GEZ 312 ES 2RS	3 3/4	5.8750	3.2810	2.8120	137.0	1.0	1.0	6	175,344	530,528	5.800
GEZ 400 ES	GEZ 400 ES 2RS	4	6.2500	3.5000	3.0000	146.0	1.0	1.0	6	202,320	595,720	7.000
GEZ 408 ES	GEZ 408 ES 2RS	4 1/2	7.0000	3.9375	3.3750	164.5	1.0	1.0	6	251,776	764,320	9.800
GEZ 412 ES	GEZ 412 ES 2RS	4 3/4	7.3750	4.1560	3.5620	173.5	1.0	1.0	6	281,000	843,000	11.500